



## Handling System for Pot & Pans Pre-wash/Unloading Table with Grid Undershelf, 900mm

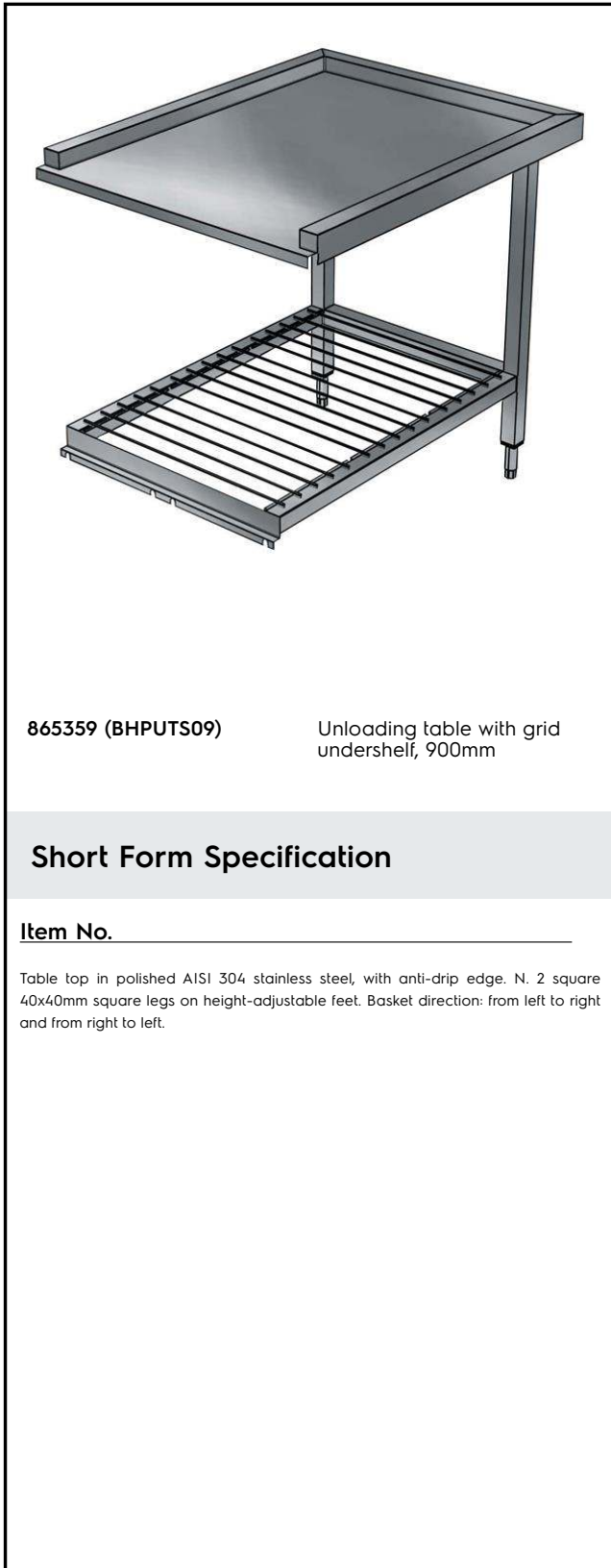
ITEM # \_\_\_\_\_

MODEL # \_\_\_\_\_

NAME # \_\_\_\_\_

SIS # \_\_\_\_\_

AIA # \_\_\_\_\_



865359 (BHPUTS09)

Unloading table with grid undershelf, 900mm

### Short Form Specification

Item No. \_\_\_\_\_

Table top in polished AISI 304 stainless steel, with anti-drip edge. N. 2 square 40x40mm square legs on height-adjustable feet. Basket direction: from left to right and from right to left.

### Main Features

- Supplied knocked-down and easy to assemble.

### Construction

- 304 AISI stainless steel construction throughout.
- To be secured to the dishwasher and fitted with one pair of legs at the other end.
- Unloading tables equipped with grid shelf.
- All surfaces smooth with polished finish.
- Stainless steel square 40x40mm tubular legs.
- Deep anti-drip profiles completely folded with lower edge for safe and easy cleaning.

### Optional Accessories

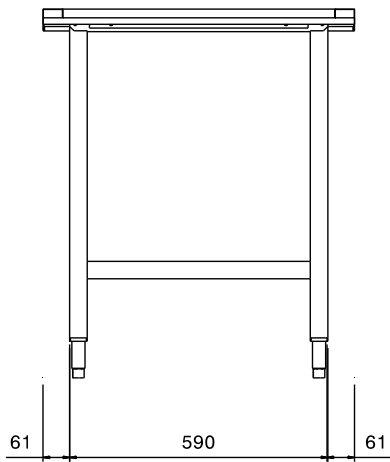
- Floor fastening kit for 2 square legs PNC 865386
- Undershelf for Pot and Pan Washer table, 900 mm PNC 865387

APPROVAL: \_\_\_\_\_

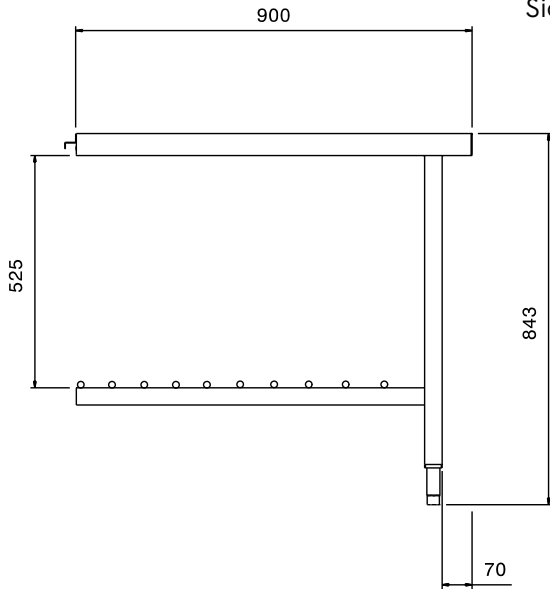


Experience the Excellence  
[www.electroluxprofessional.com](http://www.electroluxprofessional.com)

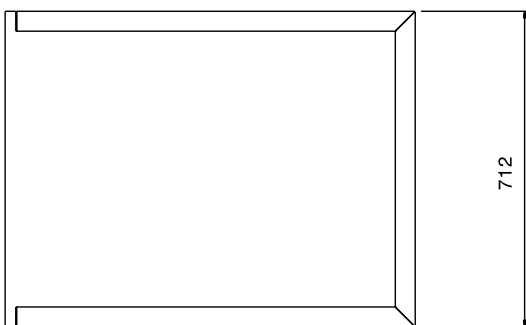
Front



Side



Top



**Key Information:**

External dimensions, Width:	
865359 (BHPUTS09)	900 mm
External dimensions, Depth:	712 mm
External dimensions, Height:	843 mm
Net weight:	8 kg